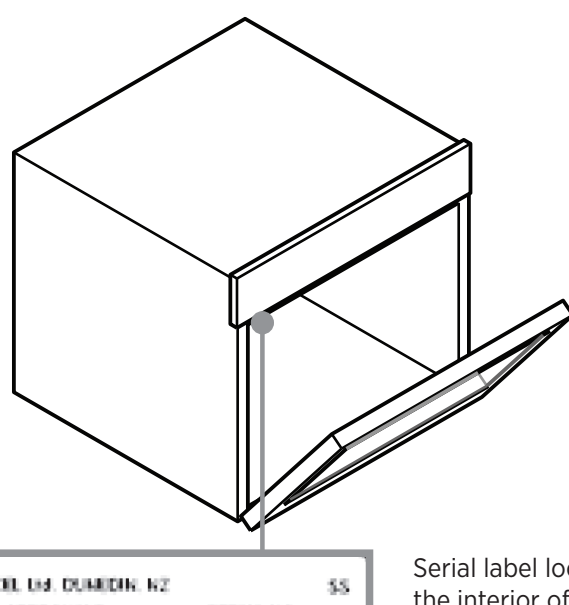


COOKING

*Actual labels may differ from shown

SINGLE / DOUBLE BUILT IN OVEN (BI models only)



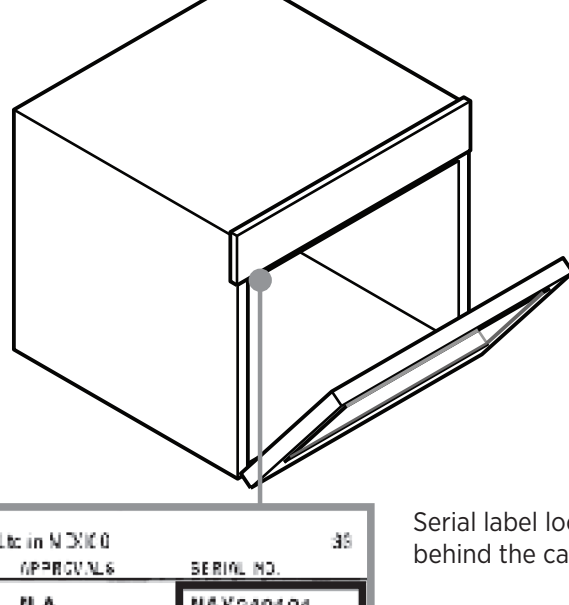
Manufactured by FISHER & PAYKEL Ltd in NEW ZEALAND				SERIAL NO. 55
PRODUCT	MODEL	AMPS	APPROVALS	SERIAL NO.
87887	BI602QASE	30	Q02751	BAM630824
230 - 240V 50Hz MAX ONLY				CLASS 1 - 1993

Serial label located under the control panel in the interior of the oven.

MODEL NUMBER

SERIAL NUMBER

SINGLE / DOUBLE BUILT IN OVEN (OB76/OB30, OS30/OD30 models only)



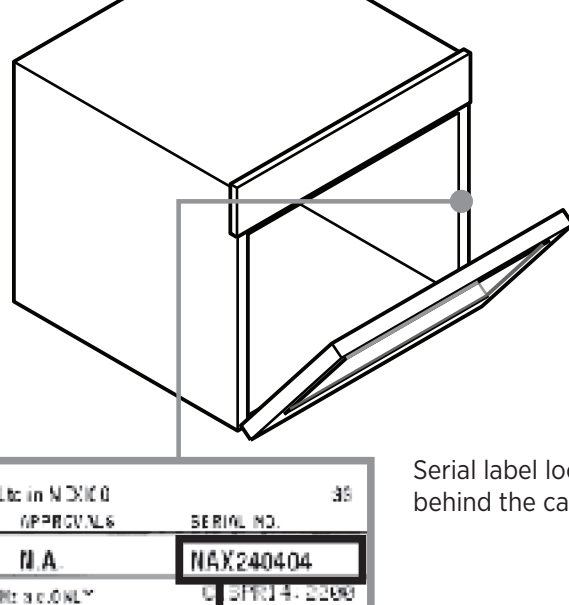
Assembled by FISHER & PAYKEL Ltd in NEW ZEALAND				SERIAL NO. 35
PRODUCT	MODEL	AMPS	APPROVALS	SERIAL NO.
80671-N	CG506D WACK1	0.056	NA	NAY240404
220 - 240V 50Hz MAX ONLY				CLASS 1 - 1993

Serial label located inside the top oven panel behind the cavity.

MODEL NUMBER

SERIAL NUMBER

SINGLE / DOUBLE BUILT IN OVEN (OB60 models only)



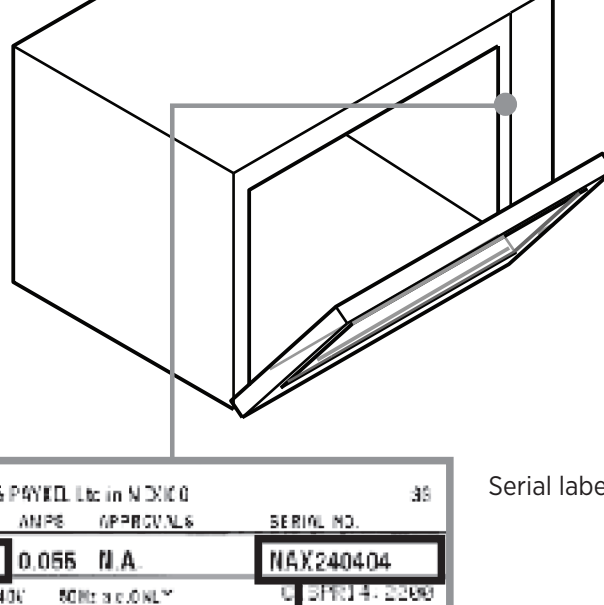
Assembled by FISHER & PAYKEL Ltd in NEW ZEALAND				SERIAL NO. 35
PRODUCT	MODEL	AMPS	APPROVALS	SERIAL NO.
80671-N	CG506D WACK1	0.056	NA	NAY240404
220 - 240V 50Hz MAX ONLY				CLASS 1 - 1993

Serial label located inside the top oven panel behind the cavity.

MODEL NUMBER

SERIAL NUMBER

SINGLE OVEN (OB90/OB36 models only)



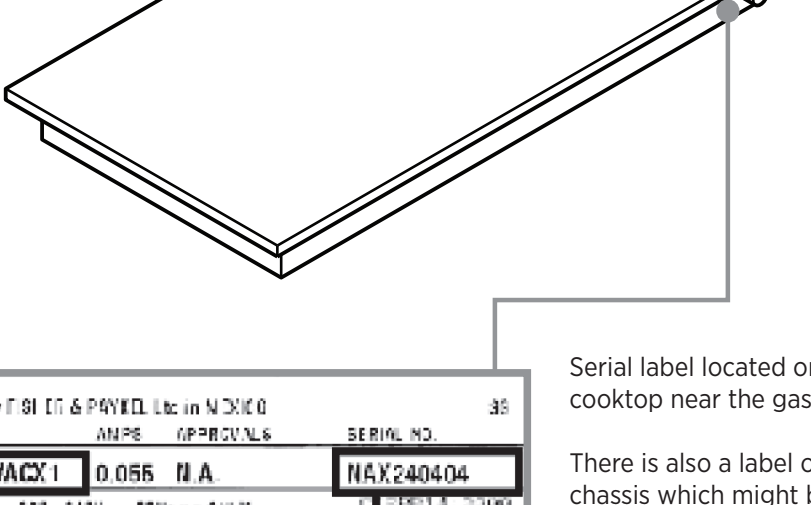
Assembled by FISHER & PAYKEL Ltd in NEW ZEALAND				SERIAL NO. 35
PRODUCT	MODEL	AMPS	APPROVALS	SERIAL NO.
80671-N	CG506D WACK1	0.056	NA	NAY240404
220 - 240V 50Hz MAX ONLY				CLASS 1 - 1993

Serial label located on inside of the front frame

MODEL NUMBER

SERIAL NUMBER

COOKSURFACE



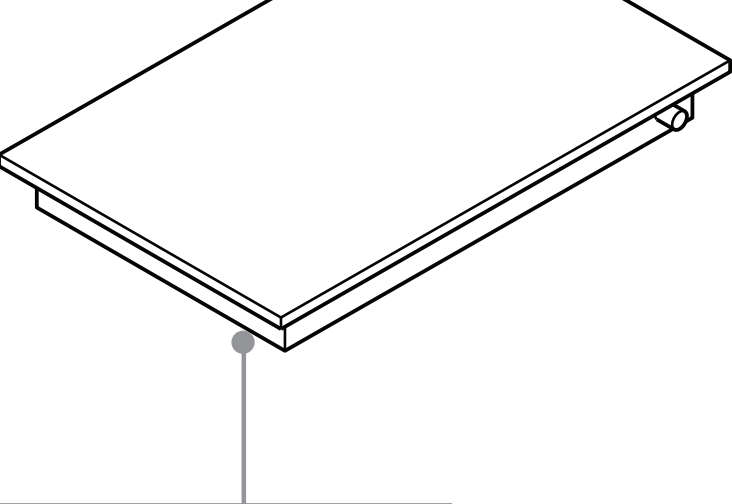
Assembled by FISHER & PAYKEL Ltd in NEW ZEALAND				SERIAL NO. 35
PRODUCT	MODEL	AMPS	APPROVALS	SERIAL NO.
80671-N	CG506D WACK1	0.056	NA	NAY240404
220 - 240V 50Hz MAX ONLY				CLASS 1 - 1993

Serial label located on the underside of the cooktop near the gas entry point on the left. There is also a label on the front left of the chassis which might be visible in some installations.

MODEL NUMBER

SERIAL NUMBER

GAS / CERAMIC / INDUCTION COOKTOPS



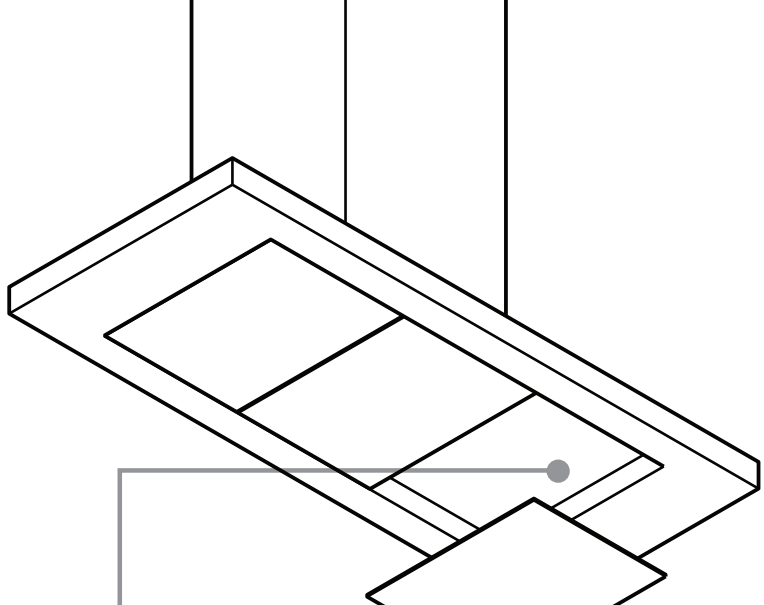
Manufactured by FISHER & PAYKEL Ltd in NEW ZEALAND				SERIAL NO. 35
PRODUCT	MODEL	AMPS	APPROVALS	SERIAL NO.
87654	CE604CX1	25	N15207	BAM319918
230 - 240V 50Hz MAX ONLY				CLASS 1 - 1993

Serial label located on the bottom of the basepan.

MODEL NUMBER

SERIAL NUMBER

RANGEHOODS



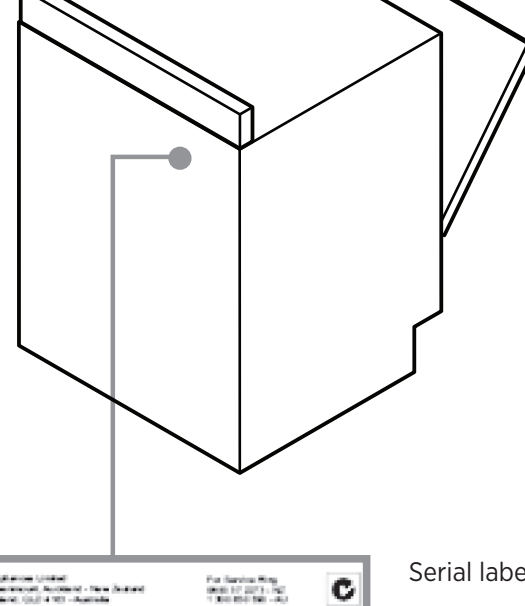
230-240V 50Hz MAX 295 WATT		
APP/N :	Q00485	
MODEL :	87895	
SN :	R10095974	

Serial label located inside product. Remove Right Filter to access.
Slide-out models : Serial label located inside product. Open Rangehood and remove filter.

SERIAL NUMBER

MODEL NUMBER

FREESTANDING COOKER (OR61, OR60 models only)



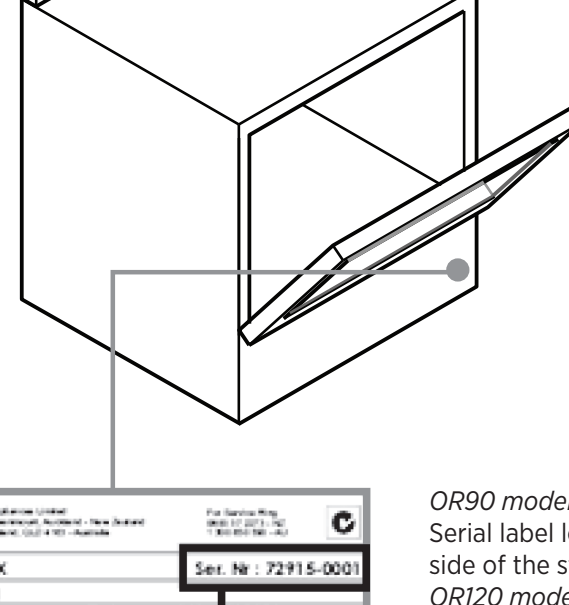
Fisher & Paykel			Part No 80471	Ser. No : 72915-001
Model No : OR60SLOX1	CPF No C6N0P001X			
AGA Approval No 624	Series: D61GII	B. Approval No	N18131	
Gas Type and Pressure	Total Gas Consumption			
<input checked="" type="checkbox"/> Natural Gas 1.00 kPa	<input type="checkbox"/> PROPANE 2.75 kPa	<input checked="" type="checkbox"/> 39.80 MJ/h Natural Gas	<input type="checkbox"/> 39.80 MJ/h PROPANE	
Power Supply: 230V 240V 240W 50 Hz a.c.	Made in Italy			
WARNING - this appliance IS NOT SUITABLE for installation with a hose assembly				

Serial label located on the back of the product

MODEL NUMBER

SERIAL NUMBER

FREESTANDING COOKER (OR90, OR120 models only)



Fisher & Paykel			Part No 80471	Ser. No : 72915-001
Model No : OR60SLOX1	CPF No C6N0P001X			
AGA Approval No 624	Series: D61GII	B. Approval No	N18131	
Gas Type and Pressure	Total Gas Consumption			
<input checked="" type="checkbox"/> Natural Gas 1.00 kPa	<input type="checkbox"/> PROPANE 2.75 kPa	<input checked="" type="checkbox"/> 39.80 MJ/h Natural Gas	<input type="checkbox"/> 39.80 MJ/h PROPANE	
Power Supply: 230V 240V 240W 50 Hz a.c.	Made in Italy			
WARNING - this appliance IS NOT SUITABLE for installation with a hose assembly				

OR90 models : Serial label located on the right hand side of the storage compartment flap.
OR120 models : Serial label located on the chassis behind the right hand side storage drawer.

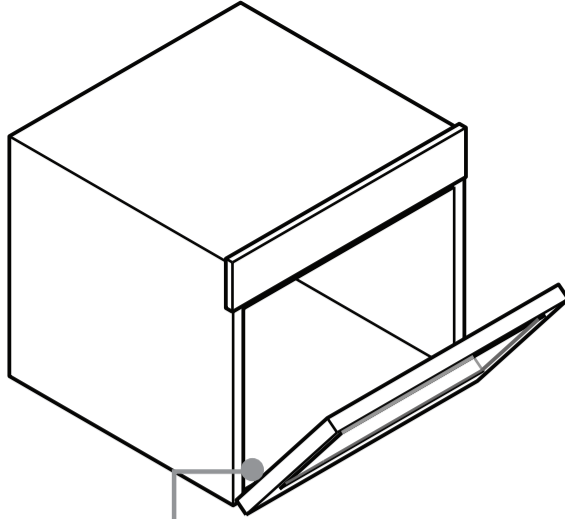
MODEL NUMBER

SERIAL NUMBER

KITCHEN COMPANION PRODUCTS

**Actual labels may differ from shown*

MICROWAVE OVEN (OM36 models only)



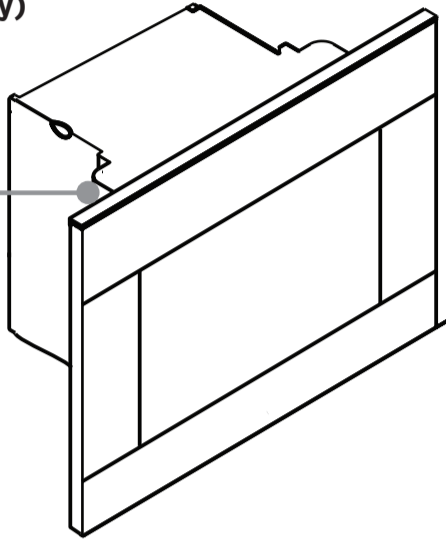
Assembled by FISI DT & PAYROL Ltd in MEXICO				36
PRODUCT	MODEL	AMPS	APPROVALS	SERIAL NO.
80671-A	CG9060WACX1	0.055	N.A.	NAX240404
220-240V		NOM: sec. ONLY		U.S. PATENT # 2,200,000
HP Shipped with gas valve for NO				

Serial label located inside the oven frame on the bottom

MODEL NUMBER

SERIAL NUMBER

COFFEE MAKER (EB60 models only)



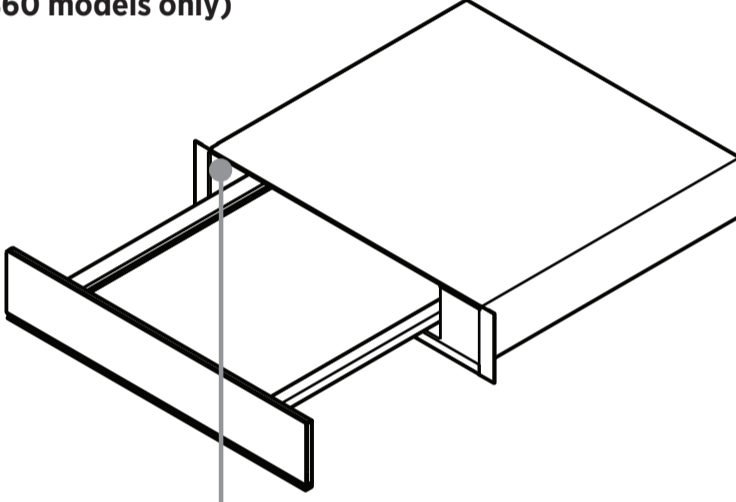
Assembled by FISI DT & PAYROL Ltd in MEXICO				36
PRODUCT	MODEL	AMPS	APPROVALS	SERIAL NO.
80671-A	CG9060WACX1	0.055	N.A.	NAX240404
220-240V		NOM: sec. ONLY		U.S. PATENT # 2,200,000
HP Shipped with gas valve for NO				

Serial label located behind the front fascia on the left hand side

MODEL NUMBER

SERIAL NUMBER

WARMING DRAWER (WB60 models only)



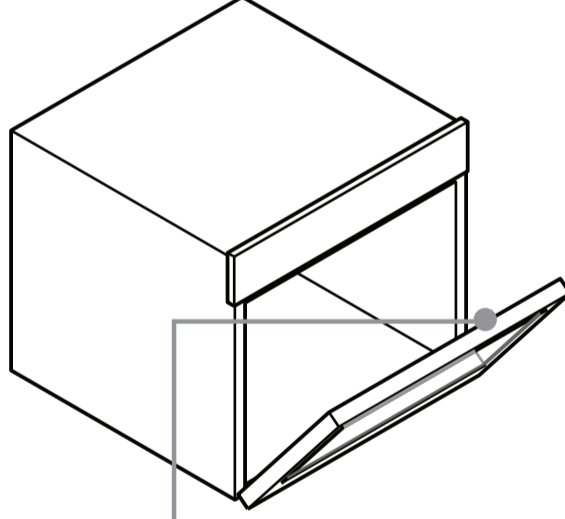
Assembled by FISI DT & PAYROL Ltd in MEXICO				36
PRODUCT	MODEL	AMPS	APPROVALS	SERIAL NO.
80671-A	CG9060WACX1	0.055	N.A.	NAX240404
220-240V		NOM: sec. ONLY		U.S. PATENT # 2,200,000
HP Shipped with gas valve for NO				

Serial label located on the left hand wall inside the warming drawer

MODEL NUMBER

SERIAL NUMBER

COMPACT OVEN (OB60N8 models only)



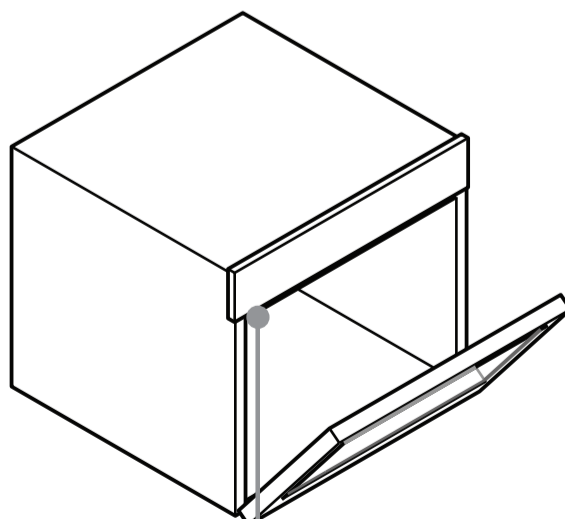
Assembled by FISI DT & PAYROL Ltd in MEXICO				36
PRODUCT	MODEL	AMPS	APPROVALS	SERIAL NO.
80671-A	CG9060WACX1	0.055	N.A.	NAX240404
220-240V		NOM: sec. ONLY		U.S. PATENT # 2,200,000
HP Shipped with gas valve for NO				

Serial label located on right hand inside of the door frame

MODEL NUMBER

SERIAL NUMBER

STEAM OVEN (OS60 models only)



Assembled by FISI DT & PAYROL Ltd in MEXICO				36
PRODUCT	MODEL	AMPS	APPROVALS	SERIAL NO.
80671-A	CG9060WACX1	0.055	N.A.	NAX240404
220-240V		NOM: sec. ONLY		U.S. PATENT # 2,200,000
HP Shipped with gas valve for NO				

Serial label located inside the top oven panel behind the cavity.

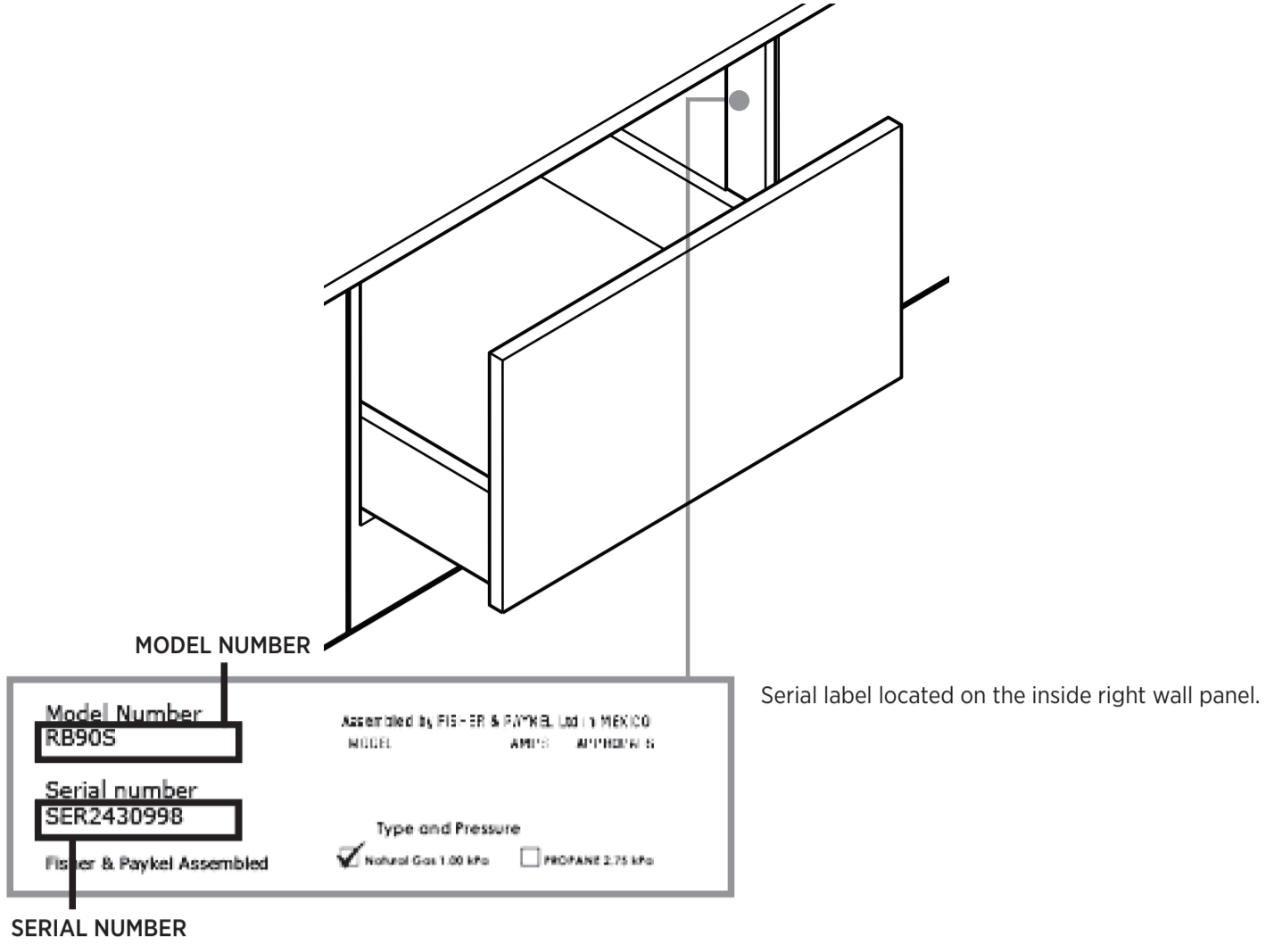
MODEL NUMBER

SERIAL NUMBER

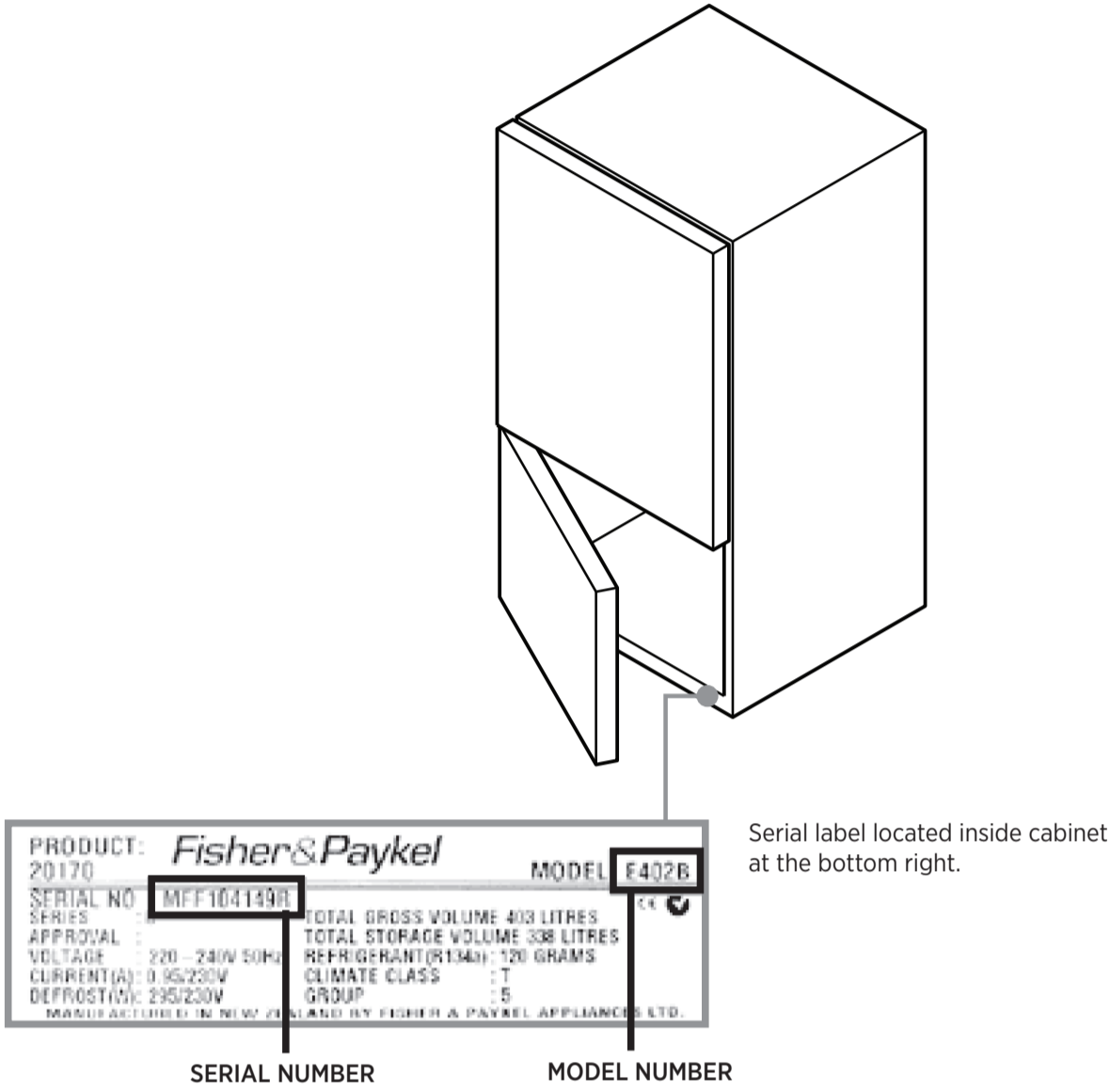
REFRIGERATION

*Actual labels may differ from shown

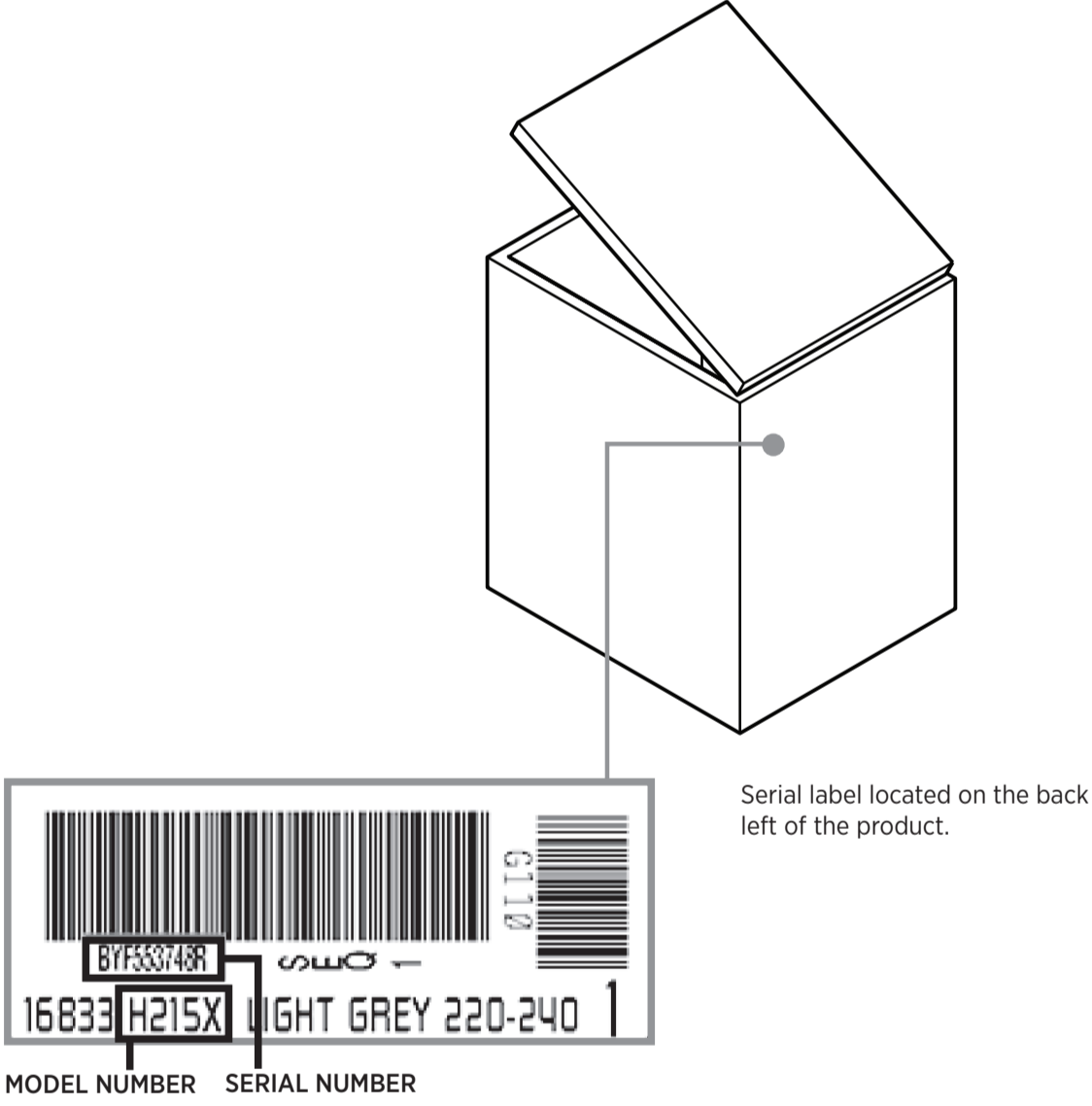
COOLDRAWER



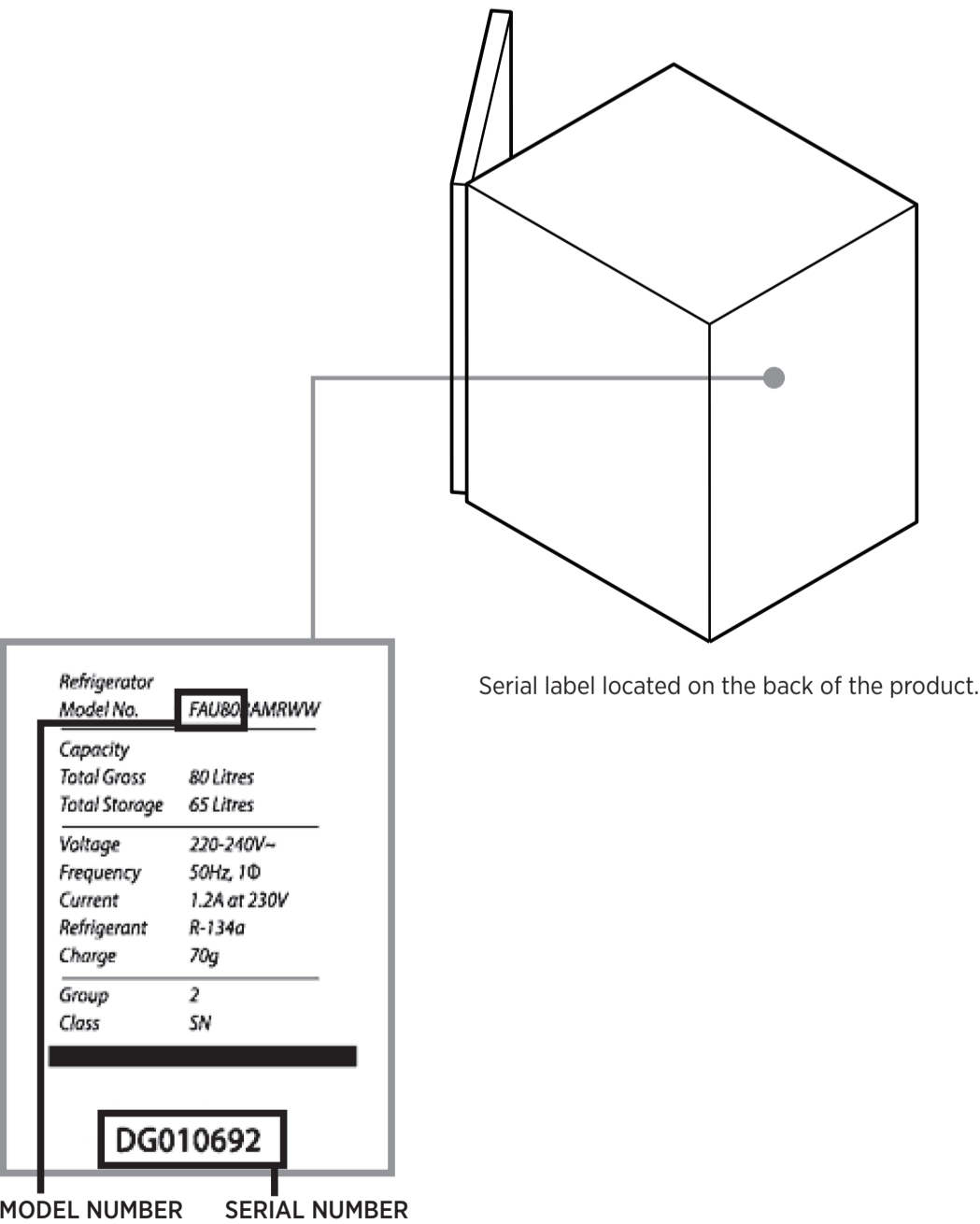
REFRIGERATOR



CHEST FREEZER



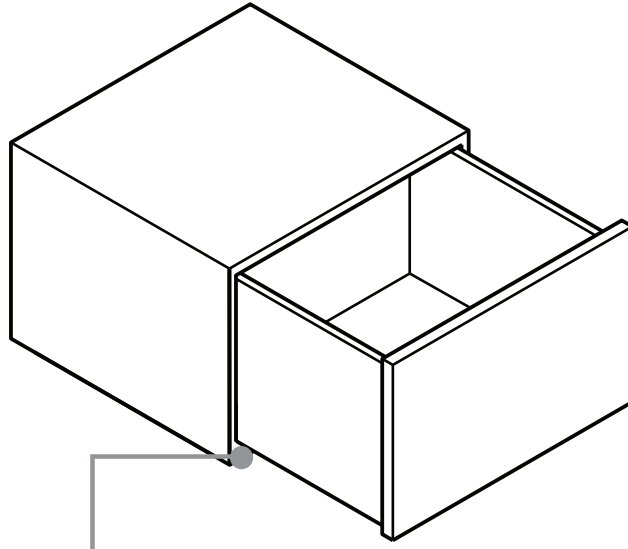
BAR REFRIGERATOR



DISHWASHING

**Actual labels may differ from shown*

SINGLE DISHDRAWER DISHWASHER



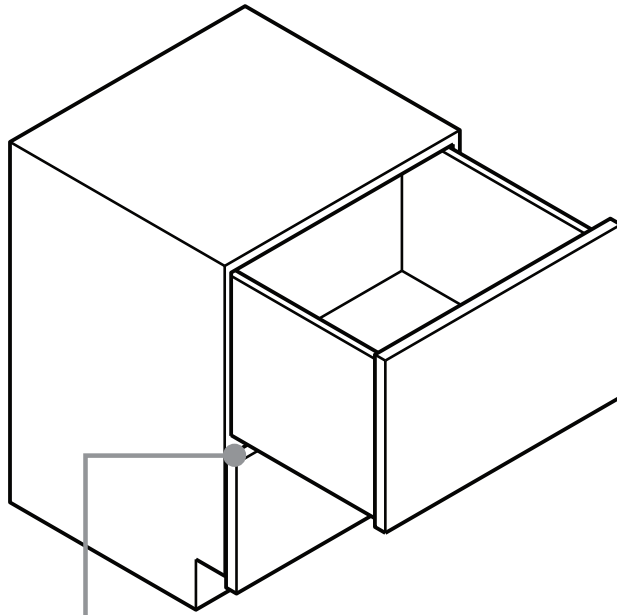
Manufactured by FISHER & PAYKEL LTD. DUNEDIN, NZ					SM
PRODUCT	MODEL	AMPS	APPROVALS	SERIAL NO	
87821	DS603M	4.5	Q00535	BRM765702	
230 - 240V 50Hz a.c. ONLY					CASPER 1991

MODEL NUMBER

SERIAL NUMBER

Serial label located inside cabinet, underneath drawer.

DOUBLE DISHDRAWER DISHWASHER



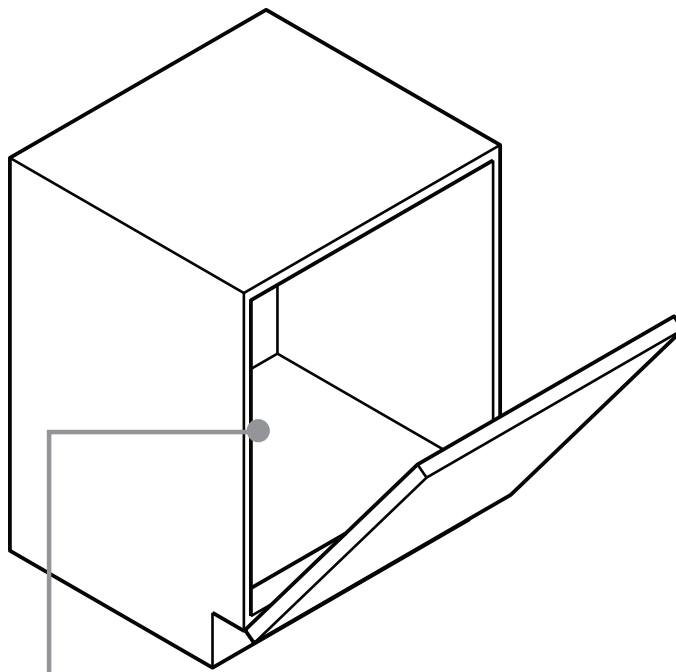
Manufactured by FISHER & PAYKEL LTD. DUNEDIN, NZ					SM
PRODUCT	MODEL	AMPS	APPROVALS	SERIAL NO	
87821	DS603M	4.5	Q00535	BRM765702	
230 - 240V 50Hz a.c. ONLY					CASPER 1991

MODEL NUMBER

SERIAL NUMBER

Serial label located inside cabinet, underneath the top drawer.

DISHWASHER



Manufactured by FISHER & PAYKEL LTD. DUNEDIN, NZ					SS
PRODUCT	MODEL	AMPS	APPROVALS NO	SERIAL NO	
87615	920	8	Q01370	BSM413343	
230 - 240V 50Hz a.c. ONLY					CASPER 1991
PAT NO: NZ 161574 UK 135844 MUST PAT APPLIED FOR					

MODEL NUMBER

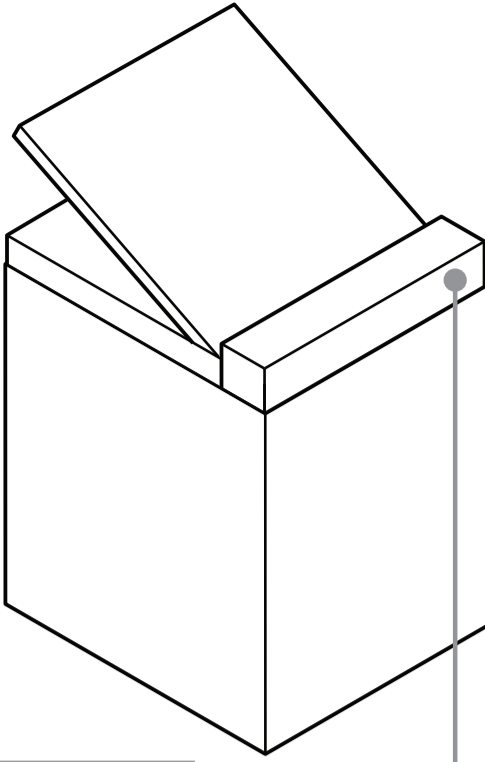
SERIAL NUMBER

Serial label located inside product on the left hand side of the cabinet.

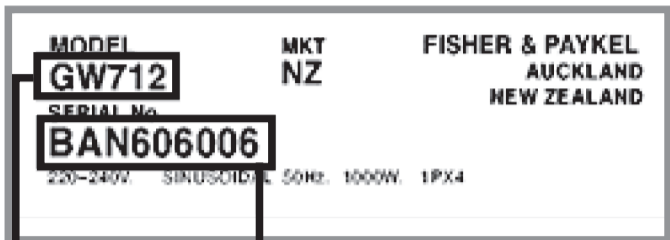
LAUNDRY

*Actual labels may differ from shown

TOP LOADING CLOTHES WASHER

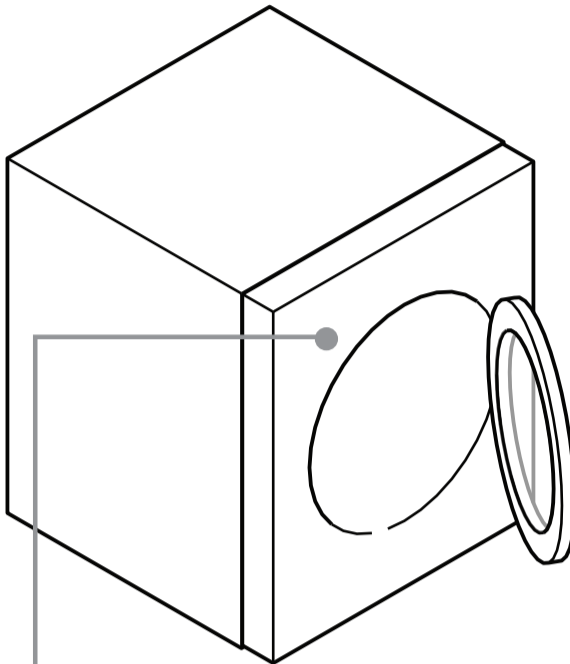


Serial label located on the back of the top panel.

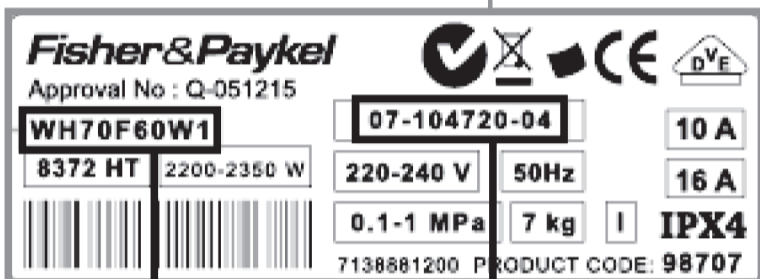


MODEL NUMBER SERIAL NUMBER

FRONT LOADING CLOTHES WASHER

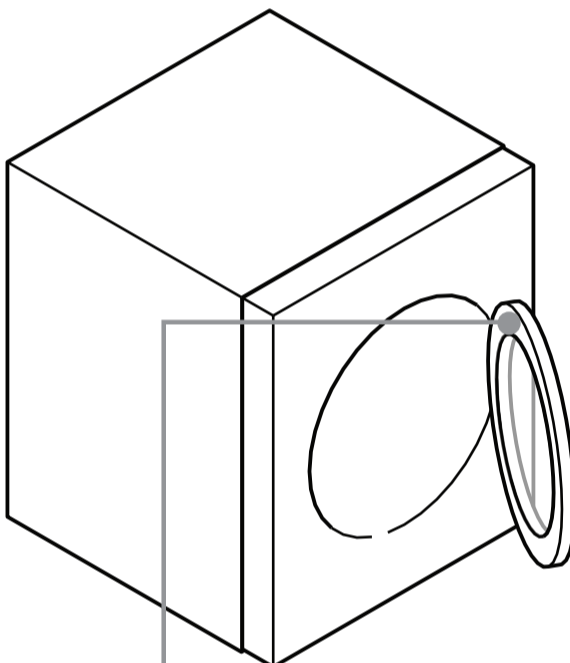


Serial label located at the top of the door frame when the door is opened.

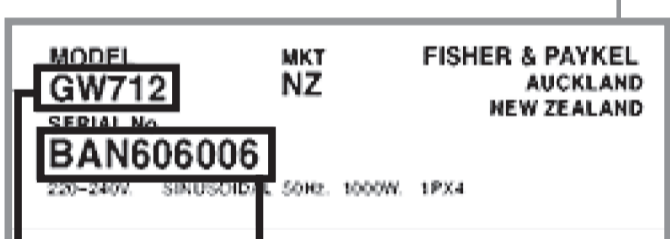


MODEL NUMBER SERIAL NUMBER

CLOTHES DRYER

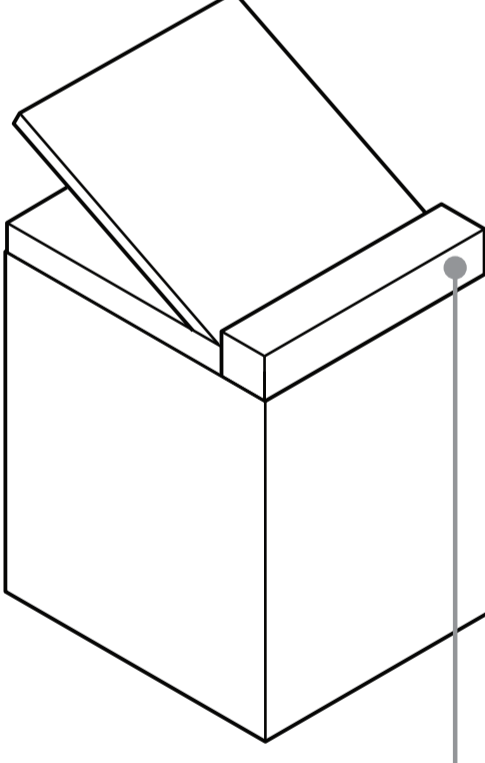


Serial label located on the inside of the door or on the back of the product.

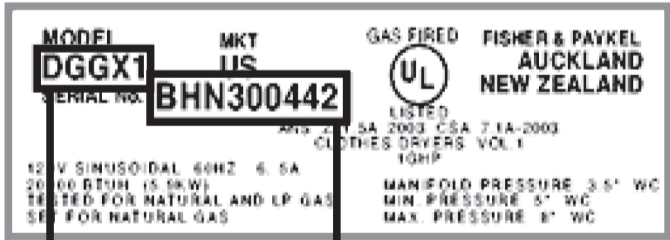


MODEL NUMBER SERIAL NUMBER

SMARTLOAD DRYER

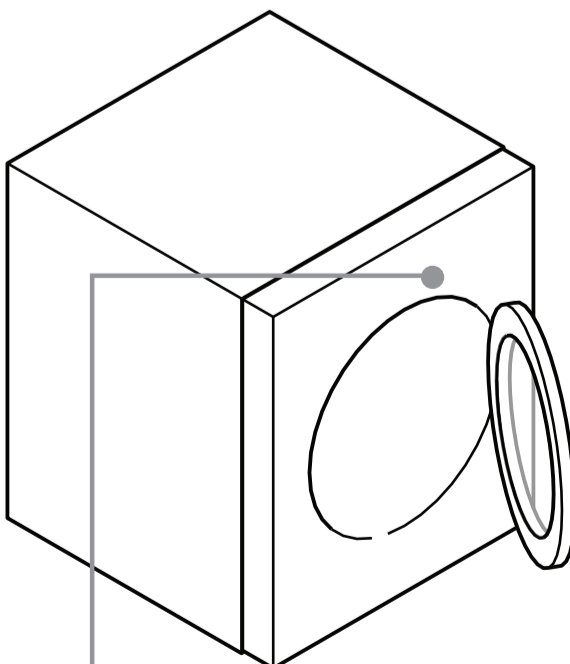


Serial label located on the back of the product.

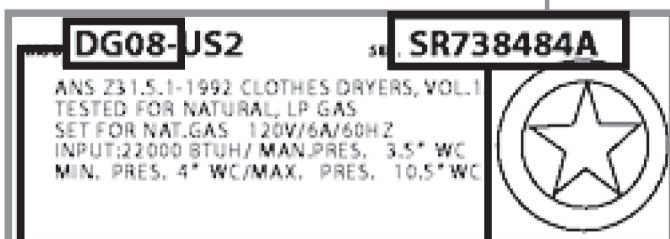


MODEL NUMBER SERIAL NUMBER

DE08/DG08 FRONT LOADING DRYER



Serial label located at the top of the door frame when the door is opened.



MODEL NUMBER SERIAL NUMBER